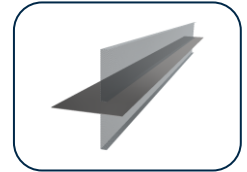


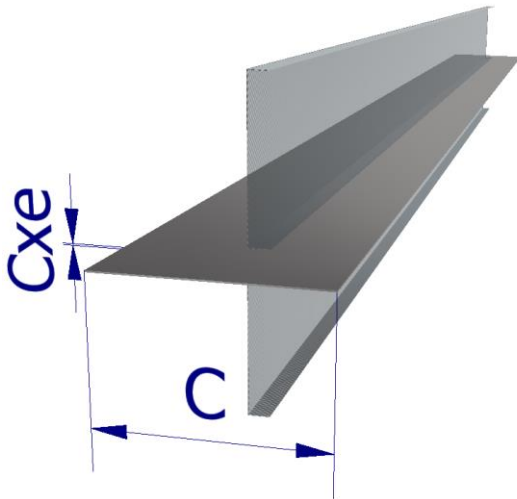
**PLAKA – TETRA 3045**

**Waterproof casing for a slab-slab or wall-wall concrete pouring**

REF 05.12.02 - Version V02 – 18/01/2021



**Description**



TETRA 3045 is composed of a sealing metal sheet measured by  $C \times e$  and two expanded metal strips perpendicularly connected to the sealing metal sheets by welding points.

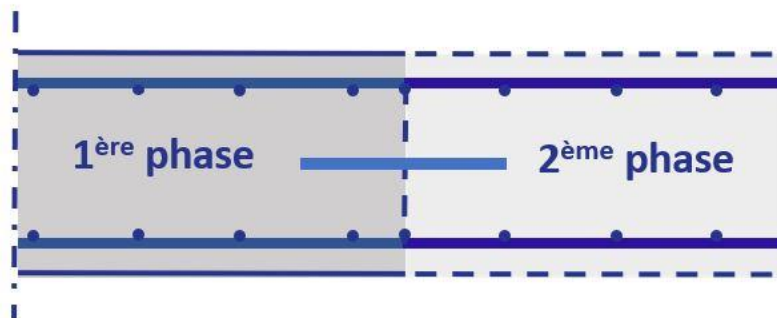
The lot forms a lost formwork, removing the costs of their removal and waste disposal.

TRIGO 3045 provides a very good connection between the first and second phase.

Please refer to the TETRA 3001/3002/3003 data sheet pour for more details concerning the expanded metal strips. The same concreting maximum heights conditions the TETRA3045 models' composition.

**Fields of application**

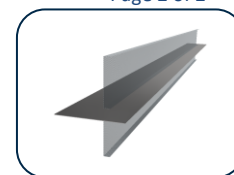
TETRA 3045 is placed at the connection between two concreting phases of a reinforced concrete slab or wall. This formwork allows to improve the waterproofing at the location of the construction joint.



**PLAKA – TETRA 3045**

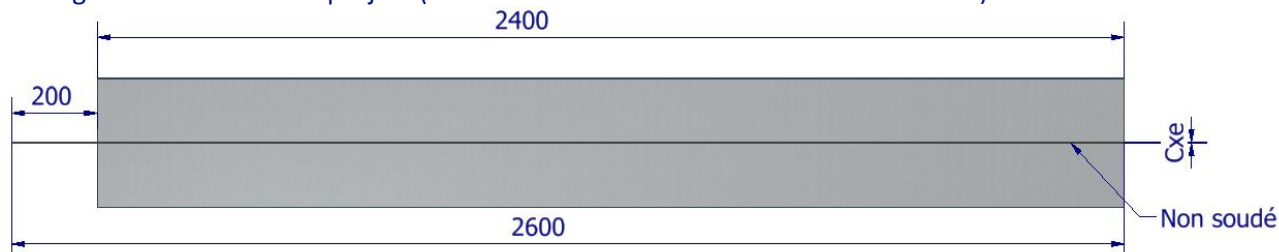
**Waterproof casing for a slab-slab or wall-wall concrete pouring**

REF 05.12.02 - Version V02 – 18/01/2021



**Dimensions**

TETRA 3045 can be manufactured with sealing metal sheets and expanded metal strips of different heights, according to the needs of the project (see table below for more detailed information).



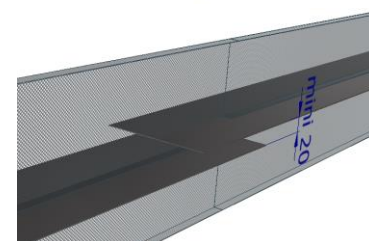
Standard straight elements are produced as follows:

Straight standard elements :

- Sealing metal sheets : 260 cm long
- Expanded metal strips : 240 cm long

The sealing metal sheets exceeds 20cm on one side and is not welded on the other in such a way to allow an overlap of the sealing metal sheets of two continuous elements.

For perfect waterproofness either the metal sheets are placed one on top of the other and it's recommended to glue them with waterproof sealant (Swellseal Mastic), either they are provided with a minimum 20mm space between them, allowing the concrete to go through.



**Matériaux et dimensions**

Scheme	Code	C x e (mm)	L (m)	H (cm)
	ST30452015	200 x 1,5	2.40	= B1+B2
	ST30452020	200 x 2,0	2.40	= B1+B2
	ST30453015	300 x 1,5	2.40	= B1+B2
	ST30453020	300 x 2,0	2.40	= B1+B2
	ST30454015	400 x 1,5	2.40	= B1+B2
	ST30454020	400 x 2,0	2.40	= B1+B2

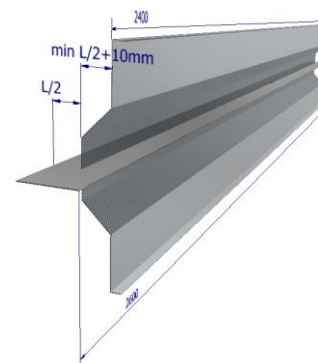
**Variant : TETRA3045T folded on demand**

In standard version, the L = 200 mm wide and d = 1,5 mm thick metal sheet is used, but other sizes and thicknesses can be used (see table above)

Minimum slab size (or minimum wall thickness):

B = 200 mm

The expanded metal is folded in such a way so that the sealing metal sheet doesn't exceed the vertical face.



©Protégé par le droit d'auteur

Cette fiche, élaborée avec le plus grand soin, annule et remplace toutes les versions précédentes. Les informations techniques sur la conception, les modèles, les illustrations, les valeurs de calcul et les spécifications sont communiquées à titre indicatif et sans engagement. Nous n'assumons aucune responsabilité en cas d'application erronée ou non adaptée. Nous nous réservons le droit de modifier le contenu de cette fiche sans avis préalable.